



03

RUITONG  
VALVE

截止阀 GLOBE VALVE SERIES  
系列



## 美标截止阀 API Globe valve

J41 W-150Lb

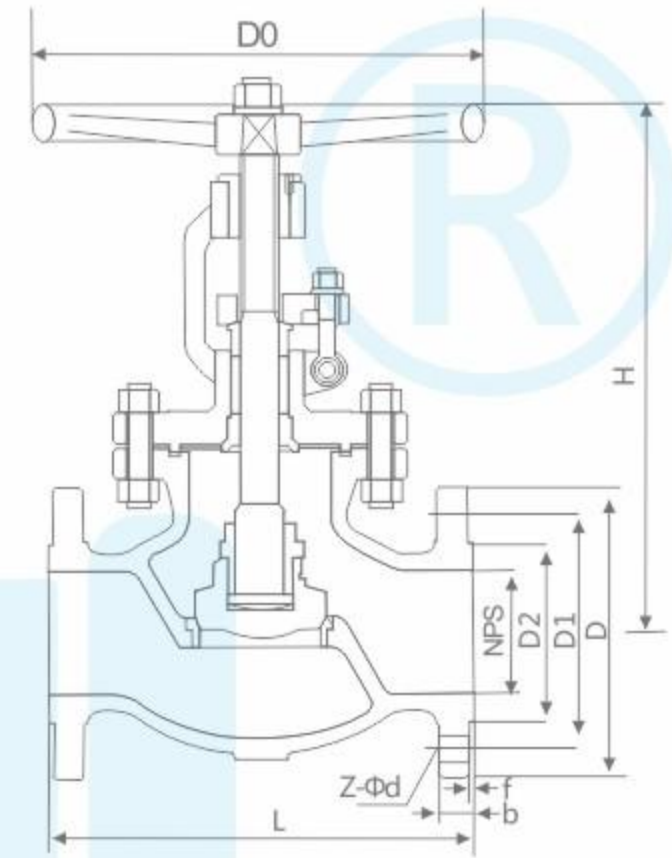
### 产品概述 Products overview

美标截止阀主要有API和ASME标准，ASTM，ASTM是材料标准，不是阀门本身的标准；按美国标准设计，制造，生产、检测的截止阀叫做美标截止阀。

American standard cut-off valve mainly include API and ASME standard, ASTM, ASTM material standard, not the standard valve itself; According to the American standard design, manufacturing, production, testing, the cut-off valve American standard cut-off valve.

### 产品优点 Product advantages

1. 流体阻力小，其阻力系数与同长度的管段相等。
  2. 结构简单、体积小、重量轻。
  3. 紧密可靠，目前闸阀的密封面材料广泛使用塑料，密封性好，在真空系统中也已广泛使用。
  4. 操作方便，开闭迅速，从全开到全关只要旋转90°，便于远距离的控制。
  5. 维修方便结构简单，密封圈一般都是活动的，拆卸更换都比较方便。
  6. 在全开或全闭时，阀体和阀座的密封面与介质隔离，介质通过时，不会引起阀门密封面的侵蚀。
  7. 适用范围广，口径从小到几毫米，大到几米，从高真空至高压力都可应用，球旋转90度时，在进出口处应全部呈现球面，从而截断流动。
1. The fluid resistance is small, its resistance coefficient with section of equal length.
  2. Simple structure, small volume, light weight
  3. Compact and reliable, the gate valve sealing surface of materials widely used plastic, sealing is good, have been widely used in the vacuum system.
  4. Easy to operate, open and close quickly, from open to close just rotate 90°, is advantageous for the remote control.
  5. Easy maintenance structure is simple, sealing ring, which generally remove replacement is more convenient.
  6. In the fully open or fully closed, the valve body and seat sealing surface and the dielectric isolation, medium through, does not cause the valve sealing surface erosion.
  7. Applicable scope is wide, size from small to several millimeters, big to a few meters, from high vacuum to high pressure can be applied, the ball rotate 90 degrees, in the inlet and outlet should be completely present spherical, thereby cutting flow.



### 标准 Standard

设计与制造 Design and Manufacture	结构长度 Structure Length	法兰尺寸 Connection flange	对焊连接尺寸 Butt welding connection size	压力-温度 Pressure-temperature rating	试验-检验 Test and Inspection
ANSI B16.34 BS1873	ANSI B16.10	ANSI B16.5	ANSI B16.25	ANSI B16.34	API 598

### 压力试验 Pressure test

公称压力 PN(Lb)	强度试验 Strength test		水密封试验 Water sealing test		气密封试验 Air tightness test	
	MPa	Lbf/in2	MPa	Lbf/in2	MPa	Lbf/in2
150	3.0	430	2.2	315	0.4-0.7	60-100
300	7.7	1110	5.7	815		
600	15.3	2220	11.3	1630		
900	23.0	3330	17.0	2445		
1500	38.4	5560	28.2	4080		
2500	64.0	9255	47.0	6790		

### 主要零件材料及性能 Major parts material and the performance

体盖 Operculum corporis	阀杆 Valve stem	密封面 Sealing surface	垫片(环) Spacer (Ring)	填料 Filler	工作温度 Operation temperature	适用介质 Applicable Medium
WCB	2Cr13	CF8/13Cr/STL 本体材料/尼龙 CF8/13cr/STI body material/nylon	增强柔性石墨 13Cr/柔性石墨 SFB-208 软钢 F304 F316 F304L F316L Reinforced flexible graphite 13C/ flexible graphite SFB-208 soft steel F304F316F304LF316L	柔性石墨 增强柔性石墨 Flexible graphite reinforced flexible graphite	≤ 425	水蒸汽油品 Water vapor oil
WC1	38CrMoAl				≤ 425	
WC6					≤ 540	
WC9					≤ 570	
C5 C12					≤ 540	
CF8	F304				≤ 200	硝酸醋酸尿素 Urea nitrate acetate
CF8M	F316					
CF3	F304L					
CF3M	F316L					

注：电动或齿轮传动，价格另计。 Note: Electric or gear drive, the price extra.



## 美标截止阀 API Globe valve

Class 150LB 主要连接尺寸 Main connection dimensions

单位Unit:mm

DN	SIZE	L	D	D1	D2	b	f	n-Φd	H	D0
15	1/2"	108	90	60.3	34.9	10	2	4-16	163	100
20	3/4"	117	100	69.9	42.9	10.9	2	4-16	193	125
25	1"	127	110	79.4	50.8	11.6	2	4-16	250	160
32	1-1/4"	140	115	88.9	63.5	13.2	2	4-16	250	160
40	1-1/2"	165	125	98.4	73	14.7	2	4-16	291	180
50	2"	203	152	120.7	92.1	16.3	2	4-19	312	200
65	2-1/2"	216	180	139.7	104.8	17.9	2	4-19	387	200
80	3"	241	190	152.4	127	19.5	2	4-19	411	250
100	4"	292	230	190.5	157.2	24.3	2	8-19	454	250
125	5"	356	255	215.9	185.7	24.3	2	8-22	455	300
150	6"	406	280	241.3	215.9	25.9	2	8-22	541	350
200	8"	495	345	298.5	269.9	29	2	8-22	651	450
250	10"	622	405	362	323.8	30.6	2	12-26	800	450
300	12"	698	485	431.8	381	32.2	2	12-26	1213	500
350	14"	787	535	476.3	412.8	35.4	2	12-29	1450	600

Class 300LB 主要连接尺寸 Main connection dimensions

单位Unit:mm

DN	SIZE	L	D	D1	D2	b	f	n-Φd	H	D0
15	1/2"	152	95	66.7	34.9	14.7	2	4-16	163	100
20	3/4"	178	115	82.6	42.9	16.3	2	4-19	193	125
25	1"	203	125	88.9	50.8	17.9	2	4-19	250	160
32	1-1/4"	216	135	98.4	63.5	19.5	2	4-19	250	160
40	1-1/2"	229	155	114.3	73	21.1	2	4-22	291	180
50	2"	267	165	127	92.1	22.7	2	8-19	399	200
65	2-1/2"	292	190	149.2	104.8	25.9	2	8-22	438	200
80	3"	318	210	168.3	127	29	2	8-22	464	200
100	4"	356	255	200	157.2	32.2	2	8-22	565	250
125	5"	400	280	235	185.7	35.4	2	8-22	614	250
150	6"	444	320	269.9	215.9	37	2	12-22	717	300
200	8"	559	380	330.2	269.9	41.7	2	12-26	930	350
250	10"	622	445	387.4	323.8	48.1	2	16-29	1020	450
300	12"	711	520	450.8	381	51.3	2	16-32	1231	500

Class 600LB 主要连接尺寸 Main connection dimensions

单位Unit:mm

DN	SIZE	L	D	D1	D2	b	f	n-Φd	H	D0
15	1/2"	165	95	66.7	34.9	21.3	7	4-16	163	100
20	3/4"	190	115	82.6	42.9	22.9	7	4-19	193	125
25	1"	216	125	88.9	50.8	24.5	7	4-19	250	160
32	1-1/4"	229	135	98.4	63.5	27.7	7	4-19	250	160
40	1-1/2"	241	155	114.3	73	29.3	7	4-22	291	180
50	2"	292	165	127	92.1	32.4	7	8-19	444	250
65	2-1/2"	330	190	149.2	104.8	35.6	7	8-22	483	280
80	3"	356	210	168.3	127	38.8	7	8-22	533	320
100	4"	432	275	215.9	157.2	45.1	7	8-26	622	400
125	5"	508	330	266.7	185.7	51.5	7	8-29	750	450
150	6"	559	355	292.1	215.9	54.7	7	12-29	800	500
200	8"	660	420	349.2	269.9	62.6	7	12-32	927	550
250	10"	787	510	431.8	323.8	70.5	7	16-35	1257	600
300	12"	838	560	489	381	73.7	7	20-35	1468	700

截止阀系列

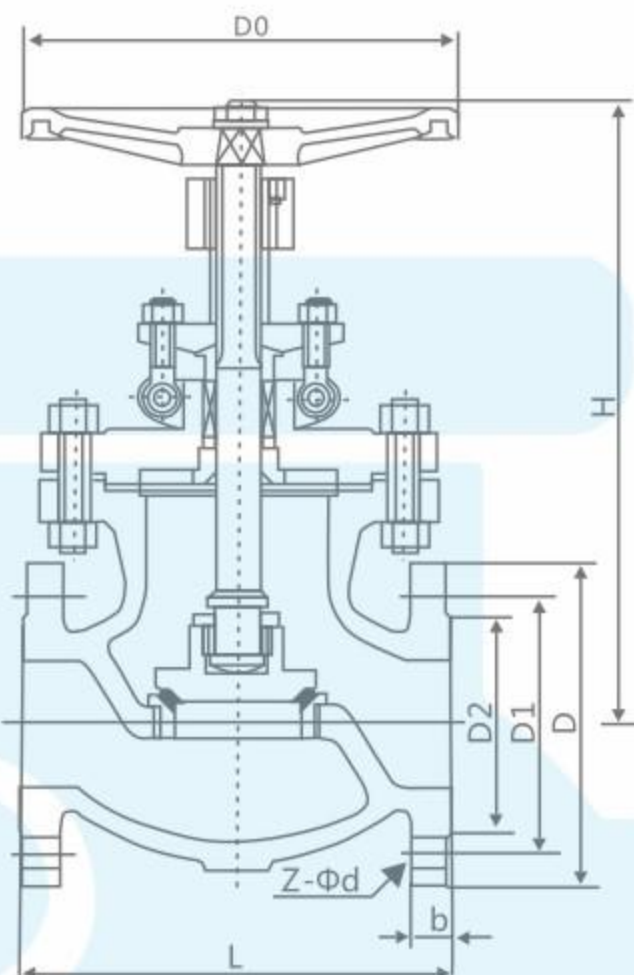
GLOBE VALVE SERIES



日标截止阀  
JIS Globe valve

截止阀系列

GLOBE VALVE SERIES



执行标准 Execution standard

设计与制造 Design and Manufacture	结构长度 Structure Length	法兰尺寸 Connection flange	压力-温度 Pressure-temperature rating	试验-检验 Test and Inspection
JIS B2071 B2081	JIS B2002	JIS B2212 B2214	JIS B2071 B2081	JIS B2003

性能规范 The performance specification

阀体材料 Valve body material	SCPH2-11	SCPH-32	SCS13A	SCS19A	SCS14A	SCS16A	SCPL1
适用温度 Applicable temperature	≤425°C	≤540°C	≤275°C	≤200°C	≤275°C	≤200°C	-45~-150°C
适用介质 Applicable Medium	水蒸气油品 Water vapor oil		硝酸类 Nitric Acid		醋酸类 Acetic acid		氨气液氨 Ammonia liquid ammonia

10K 主要连接尺寸 Main connection dimensions

单位Unit:mm

DN	SIZE	L	D	D1	D2	b	n-φd	H	D0
50	2"	203	155	120	100	16	4-19	360	200
65	2-1/2"	216	175	140	120	18	4-19	380	200
80	3"	241	185	150	130	18	8-19	415	250
100	4"	292	210	175	155	18	8-19	465	250
150	5"	356	250	210	185	20	8-23	515	300
125	6"	406	280	240	215	22	8-23	545	350
200	8"	495	330	290	265	22	12-23	675	450

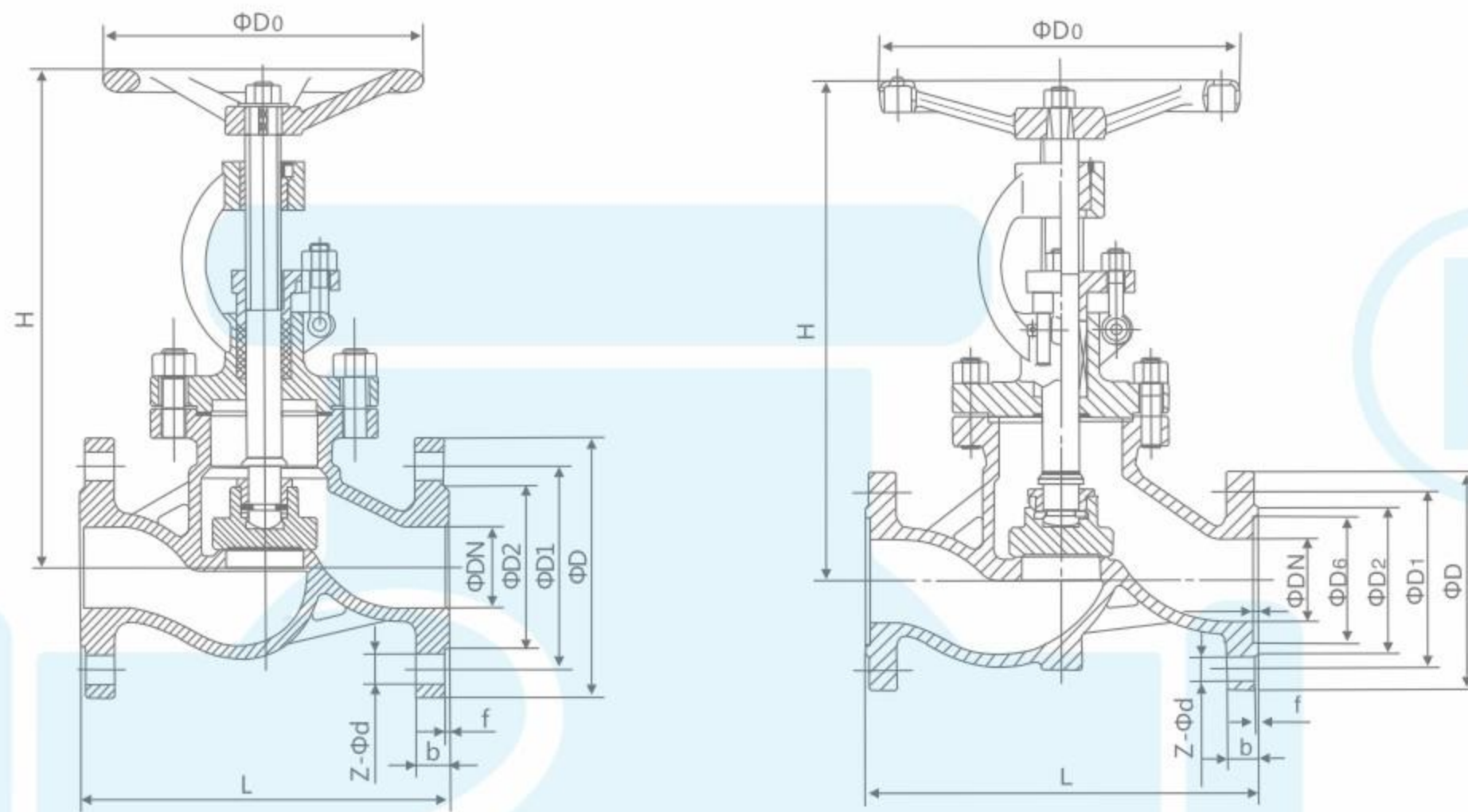
20K 主要连接尺寸 Main connection dimensions

单位Unit:mm

DN	SIZE	L	D	D1	D2	b	n-φd	H	D0
50	2"	267	155	120	100	18	8-19	420	200
65	2-1/2"	292	175	140	120	20	8-19	465	250
80	3"	318	200	160	135	22	8-23	490	300
100	4"	356	225	185	160	24	8-23	590	350
150	5"	400	270	225	195	26	8-25	690	400
125	6"	444	305	260	230	28	12-25	760	450
200	8"	559	350	305	275	30	12-25	1070	450



俄标截止阀  
GOST Globe valve



PN16 主要外形尺寸及连接尺寸 Main external and connection dimension

单位Unit:mm

DN	L	D	D1	D2	D6	b-f	f2	Z-φd	H	D0	电动装置型号 Electric device model	壁厚 Wall thickness
10	130	90	60	40	-	16-2	-	4-φ14	198	120	-	6.4
15	130	95	65	45	-	16-2	-	4-φ14	218	120	-	6.4
20	150	105	75	55	-	18-2	-	4-φ14	230	140	-	6.4
25	160	115	85	65	-	18-2	-	4-φ14	240	160	-	6.4
32	180	140	100	78	-	18-2	-	4-φ18	250	180	-	6.4
40	200	150	110	85	-	18-3	-	4-φ18	262	200	-	6.4
50	230	165	125	100	-	18-3	-	4-φ18	280	240	DZW10A	7.9
65	290	185	145	120	-	18-3	-	8-φ18	327	280	DZW10A	11
80	310	200	160	135	-	20-3	-	8-φ18	355	280	DZW10A	11.5
100	350	220	180	155	-	20-3	-	8-φ18	415	320	DZW15A	12.5
125	400	250	210	185	-	22-3	-	8-φ18	460	360	DZW20A	13
150	480	285	240	210	-	22-3	-	8-φ22	510	400	DZW30A	13.5
200	600	340	295	265	-	24-3	-	12-φ22	588	400	DZW45A	15
250	650	405	355	320	-	26-3	-	12-φ26	725	450	DZW60A	16
300	750	460	410	375	-	28-4	-	12-φ26	925	500	DZW90	18
350	850	520	470	435	-	30-4	-	16-φ26	1030	600	DZW120	19
400	950	580	525	485	-	32-4	-	16-φ30	1170	700	DZW180	21
450	1050	640	585	545	-	40-4	-	20-φ30	1220	800	DZW180	21.5
500	1150	715	650	608	-	44-4	-	20-φ33	1410	900	DZW250	22
600	1350	840	770	718	-	54-5	-	20-φ36	1610	1000	DZW350	25

截止阀系列

GLOBE VALVE SERIES



俄标截止阀  
GOST Globe valve

截止阀系列

GLOBE VALVE SERIES

PN25 主要外形尺寸及连接尺寸 Main external and connection dimension

单位Unit:mm

DN	L	D	D1	D2	D6	b-f	f2	Z-Φd	H	D0	电动装置型号 Electric device model	壁厚 Wall thickness
10	130	90	60	40	-	16-2	-	4-Φ14	198	120	-	6.4
15	130	95	65	45	-	16-2	-	4-Φ14	218	120	-	6.4
20	150	105	75	55	-	18-2	-	4-Φ14	258	140	-	6.4
25	160	115	85	65	-	18-2	-	4-Φ14	275	160	-	6.4
32	180	140	100	78	-	18-2	-	4-Φ18	280	180	-	6.4
40	200	150	110	85	-	18-3	-	4-Φ18	330	200	-	6.4
50	230	165	120	100	-	20-3	-	4-Φ18	350	240	DZW10A	7.9
65	290	185	145	120	-	22-3	-	8-Φ18	400	280	DZW10A	11
80	310	200	160	135	-	24-3	-	8-Φ18	355	280	DZW15A	11.5
100	350	235	190	160	-	24-3	-	8-Φ22	415	320	DZW20A	12.5
125	400	270	220	188	-	26-3	-	8-Φ26	460	360	DZW30A	13
150	480	300	250	218	-	28-3	-	8-Φ26	510	400	DZW45A	13.5
200	600	360	310	278	-	30-3	-	12-Φ26	710	400	DZW60A	15
250	650	425	370	332	-	32-3	-	12-Φ30	786	450	DZW90	16
300	750	485	430	390	-	34-4	-	16-Φ30	925	500	DZW120	18
350	850	555	490	448	-	38-4	-	16-Φ33	1030	600	DZW180	19
400	950	620	550	405	-	40-4	-	16-Φ36	1170	700	DZW180	21
450	1050	670	600	555	-	46-4	-	20-Φ36	1220	800	DZW250	21.5
500	1150	730	660	610	-	48-4	-	20-Φ36	1450	900	DZW350	22
600	1350	845	770	718	-	58-5	-	20-Φ39	1810	1000	DZW500	25

PN40 主要外形尺寸及连接尺寸 Main external and connection dimension

单位Unit:mm

10	130	90	60	40	35	16-2	4	4-Φ14	198	120	-	6.4
15	130	95	65	45	40	16-2	4	4-Φ14	233	120	-	6.4
20	150	105	75	55	51	18-2	4	4-Φ14	275	140	-	6.4
25	160	115	85	65	58	18-2	4	4-Φ14	285	160	-	6.4
32	180	140	100	78	66	18-2	4	4-Φ18	302	180	-	6.4
40	200	150	110	85	76	18-3	4	4-Φ18	355	200	-	6.4
50	230	165	125	100	88	20-3	4	4-Φ18	373	240	DZW10A	10
65	290	185	145	120	110	22-3	4	8-Φ18	408	280	DZW10A	12
80	310	200	160	135	121	24-3	4	8-Φ18	436	320	DZW20A	12.5
100	350	235	190	160	150	24-3	4.5	8-Φ22	480	360	DZW30A	13.5
125	400	270	220	188	176	26-3	4.5	8-Φ26	558	400	DZW45A	14
150	480	300	250	218	204	28-3	4.5	8-Φ26	611	400	DZW60A	16
200	600	375	320	282	260	34-3	4.5	12-Φ30	720	400	DZW90	17
250	650	450	385	345	313	38-3	4.5	12-Φ33	665	500	DZW120	18.5
300	750	515	450	408	364	42-4	4.5	16-Φ33	720	550	DZW180	22
350	850	580	510	465	422	46-4	5	16-Φ36	860	600	DZW180	25
400	950	660	585	535	474	50-4	5	16-Φ39	1010	700	DZW250	27
450	1050	685	610	560	524	37-4	5	20-Φ39	1190	800	DZW300	29
500	1150	755	670	612	576	57-4	5	20-Φ42	1260	900	DZW500	3

PN63 主要外形尺寸及连接尺寸 Main external and connection dimension

单位Unit:mm

10	170	100	70	50	35	20-2	4	4-Φ14	198	120	-	7.9
15	170	105	75	55	40	20-2	4	4-Φ14	195	140	-	7.9
20	190	130	90	68	51	22-2	4	4-Φ18	228	160	-	7.9
25	210	140	100	78	58	24-2	4	4-Φ18	275	180	-	7.9
32	230	155	110	82	66	26-2	4	4-Φ22	325	200	-	8.6
40	260	170	125	95	76	28-3	4	4-Φ22	360	240	-	9.4
50	300	180	135	105	88	26-3	4	4-Φ22	410	280	DZW10A	11
65	340	205	160	130	110	26-3	4	8-Φ22	450	320	DZW15A	13
80	380	215	170	140	121	28-3	4	8-Φ22	485	360	DZW30A	14
100	430	250	200	168	150	30-3	4.5	8-Φ26	537	400	DZW45A	15
125	500	295	240	202	176	34-3	4.5	8-Φ30	631	400	DZW60A	15.5
150	550	345	280	240	204	36-3	4.5	8-Φ33	646	450	DZW90	18
200	650	415	345	300	260	42-3	4.5	12-Φ36	813	500	DZW120	21
250	775	470	400	352	313	46-3	4.5	12-Φ36	985	550	DZW180	23
300	900	530	460	412	364	52-4	4.5	16-Φ36	1214	600	DZW250	25
350	1025	600	525	475	422	56-4	5	16-Φ39	1432	650	-	28
400	1150	670	585	525	474	60-4	5	16-Φ42	1650	700	-	30

注：电动或齿轮传动，价格另计。 Note: Electric or gear drive, the price extra.



## 国标截止阀 GB Globe valve

### 结构优势与特点 Structural advantages and characteristics

- 1、产品设计制造按国家标准GB 12235,结构合理,密封可靠,性能优良,造型美观。
- 2、阀瓣、阀座密封面用铁基合金堆焊或司太立(stellite)钴基硬质合金堆焊而成,耐磨、耐高温、耐腐蚀、抗擦伤性能好、使用寿命长。
- 3、阀杆经调质及表面氮化处理,有良好的抗腐蚀性和抗擦伤性。
- 4、可采用各种配管法兰标准及法兰密封面型式,满足各种工程需要和用户需求。
- 5、阀体材料品种齐全,填料、垫片可根据实际工况或用户要求合理选配,能适用与各种压力、温度及介质工况。
- 6、倒密封采用螺纹连接密封座或本体堆焊不锈钢而成,密封可靠,填料更换可在不停机情况下进行方便快捷不影响系统运行。

- 1、The product designed and manufactured according to national standard GB 12235, reasonable structure, reliable sealing, excellent performance and beautiful shape.
- 2、Flap valve, the valve seat sealing surface of iron based alloy or stellite (stellite) made of cobalt-based alloy welding, wear-resistant, high temperature, corrosion, anti-abrasion performance, long life.
- 3、Stem quenched and the nitrogen treatment, with good resistance to corrosion and scratch resistance.
- 4、Can be used with a variety of standard pipe flanges and flange sealing surface types to meet various project needs and user requirements.
- 5、Body material variety, packing, gasket can be based on actual working conditions or the user requests a reasonable option, can be applied with all kinds of pressure, temperature and medium conditions.
- 6、Sealed with screw connection seal back seat or body made of stainless steel welding, sealing and reliable replacement of filling in non-stop convenient and efficient manner does not affect system operation.

### 标准与规范 Standards and norms

设计与制造 Design and Manufacture	结构长度 Structure Length	压力、温度等级 Pressure、 temperature rating	连接法兰 Connecting flange	检验与试验 Test and Inspection
GB 12235	GB 12221	GB 12224	JB/T 79/82~1994 GB 9113 HG 20592-20635	JB/T 9092-1999 GB 13927

### 主要零件材料 Main components material

名称 Name	材料 Material								
阀体/阀盖 Body/Bonnet	CF8	CF3	CF8M	CF3M	WCB	LCB	WC6	WC9	C5
阀瓣 Wedge	CF8	CF3	CF8M	CF3M	WCB	LCB	WC6	WC9	C5
阀杆 Stem	F304	F304L	F316	F316L	2CR13	F304	F304	F304	F304
阀杆螺母 Stem Nut	铝青铜 Aluminium Bronze								
填料 Packing	PTFE/柔性石墨				石墨 Graphite				
垫片 Gasket	PTFE/金属缠绕垫				石墨 Graphite				
压盖 Gland	CF8	CF3	CF8M	CF3M	WCB	LCB	WC6	WC9	C5
螺栓 Bolt					35CrMoA				
螺母 Nut	不锈钢 Stainless Steel				45、35CrMoA				
手轮 Handwheel	不锈钢 Stainless Steel				铸钢 Cast Steel				

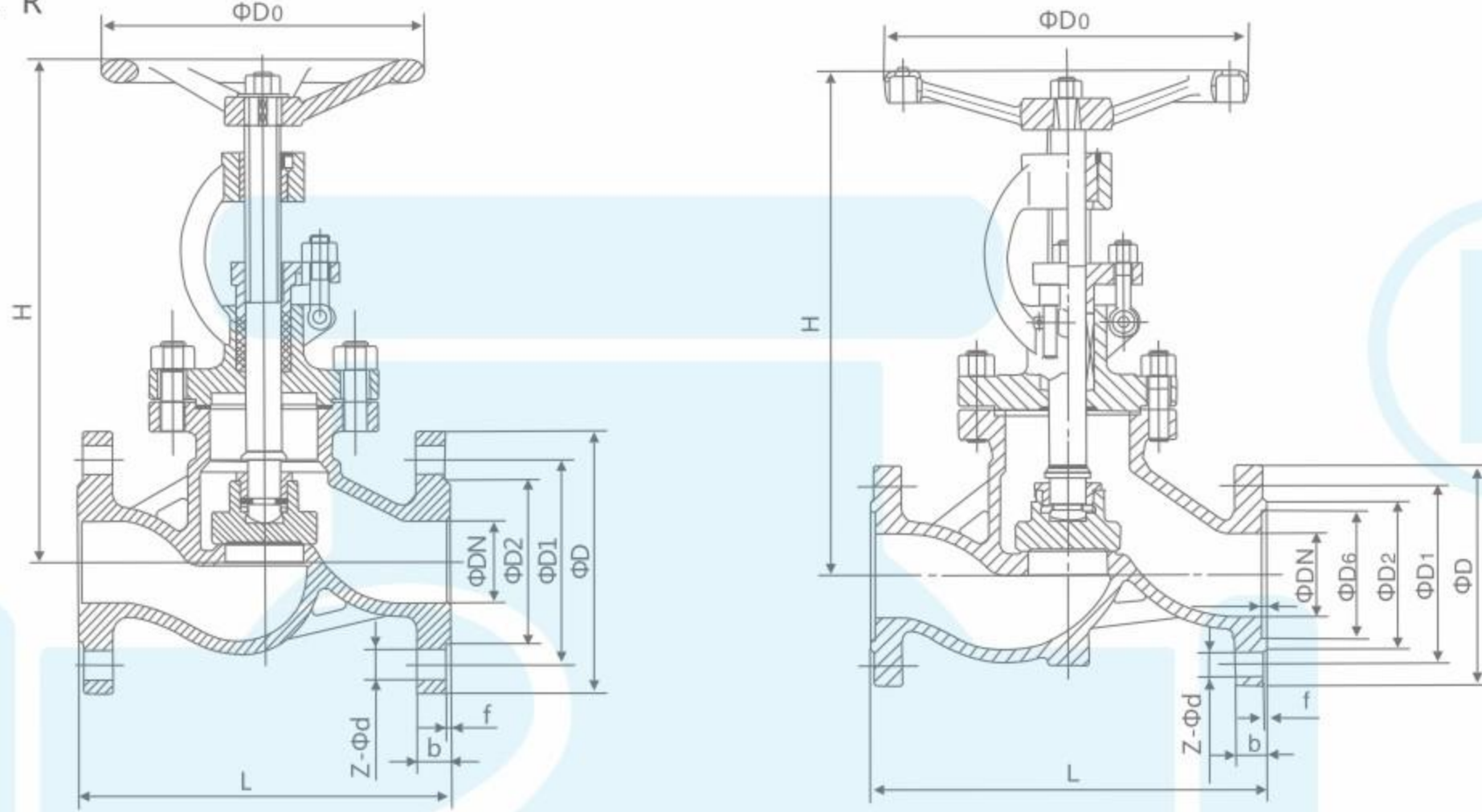


国标截止阀 GB Globe valve

截止阀系列

GLOBE VALVE SERIES

J41  $\frac{W}{Y} - \frac{1.6}{4.0} C, I, P, R$



PN16 主要外形尺寸及连接尺寸 Main external and connection dimension

HG/T 20592 单位Unit:mm

DN	L	D	D1	D2	D6	b-f	f2	Z-φd	H	D0	电动装置型号 Electric device model	壁厚 Wall thickness
10	130	90	60	40	-	16-2	-	4-φ14	198	120	-	6.4
15	130	95	65	45	-	16-2	-	4-φ14	218	120	-	6.4
20	150	105	75	55	-	18-2	-	4-φ14	230	140	-	6.4
25	160	115	85	65	-	18-2	-	4-φ14	240	160	-	6.4
32	180	140	100	78	-	18-2	-	4-φ18	250	180	-	6.4
40	200	150	110	85	-	18-3	-	4-φ18	262	200	-	6.4
50	230	165	125	100	-	18-3	-	4-φ18	280	240	DZW10A	7.9
65	290	185	145	120	-	18-3	-	8-φ18	327	280	DZW10A	11
80	310	200	160	135	-	20-3	-	8-φ18	355	280	DZW10A	11.5
100	350	220	180	155	-	20-3	-	8-φ18	415	320	DZW15A	12.5
125	400	250	210	185	-	22-3	-	8-φ18	460	360	DZW20A	13
150	480	285	240	210	-	22-3	-	8-φ22	510	400	DZW30A	13.5
200	600	340	295	265	-	24-3	-	12-φ22	588	400	DZW45A	15
250	650	405	355	320	-	26-3	-	12-φ26	725	450	DZW60A	16
300	750	460	410	375	-	28-4	-	12-φ26	925	500	DZW90	18
350	850	520	470	435	-	30-4	-	16-φ26	1030	600	DZW120	19
400	950	580	525	485	-	32-4	-	16-φ30	1170	700	DZW180	21
450	1050	640	585	545	-	40-4	-	20-φ30	1220	800	DZW180	21.5
500	1150	715	650	608	-	44-4	-	20-φ33	1410	900	DZW250	22
600	1350	840	770	718	-	54-5	-	20-φ36	1610	1000	DZW350	25



**国标截止阀**  
GB Globe valve

**PN25 主要外形尺寸及连接尺寸 Main external and connection dimension**

HG/T 20592  
单位Unit:mm

DN	L	D	D1	D2	D6	b-f	f2	Z-Φd	H	D0	电动装置型号 Electric device model	壁厚 Wall thickness
10	130	90	60	40	-	16-2	-	4-Φ14	198	120	-	6.4
15	130	95	65	45	-	16-2	-	4-Φ14	218	120	-	6.4
20	150	105	75	55	-	18-2	-	4-Φ14	258	140	-	6.4
25	160	115	85	65	-	18-2	-	4-Φ14	275	160	-	6.4
32	180	140	100	78	-	18-2	-	4-Φ18	280	180	-	6.4
40	200	150	110	85	-	18-3	-	4-Φ18	330	200	-	6.4
50	230	165	120	100	-	20-3	-	4-Φ18	350	240	DZW10A	7.9
65	290	185	145	120	-	22-3	-	8-Φ18	400	280	DZW10A	11
80	310	200	160	135	-	24-3	-	8-Φ18	355	280	DZW15A	11.5
100	350	235	190	160	-	24-3	-	8-Φ22	415	320	DZW20A	12.5
125	400	270	220	188	-	26-3	-	8-Φ26	460	360	DZW30A	13
150	480	300	250	218	-	28-3	-	8-Φ26	510	400	DZW45A	13.5
200	600	360	310	278	-	30-3	-	12-Φ26	710	400	DZW60A	15
250	650	425	370	332	-	32-3	-	12-Φ30	786	450	DZW90	16
300	750	485	430	390	-	34-4	-	16-Φ30	925	500	DZW120	18
350	850	555	490	448	-	38-4	-	16-Φ33	1030	600	DZW180	19
400	950	620	550	505	-	40-4	-	16-Φ36	1170	700	DZW180	21
450	1050	670	600	555	-	46-4	-	20-Φ36	1220	800	DZW250	21.5
500	1150	730	660	610	-	48-4	-	20-Φ36	1450	900	DZW350	22
600	1350	845	770	718	-	58-5	-	20-Φ39	1810	1000	DZW500	25

**PN40 主要外形尺寸及连接尺寸 Main external and connection dimension**

单位Unit:mm

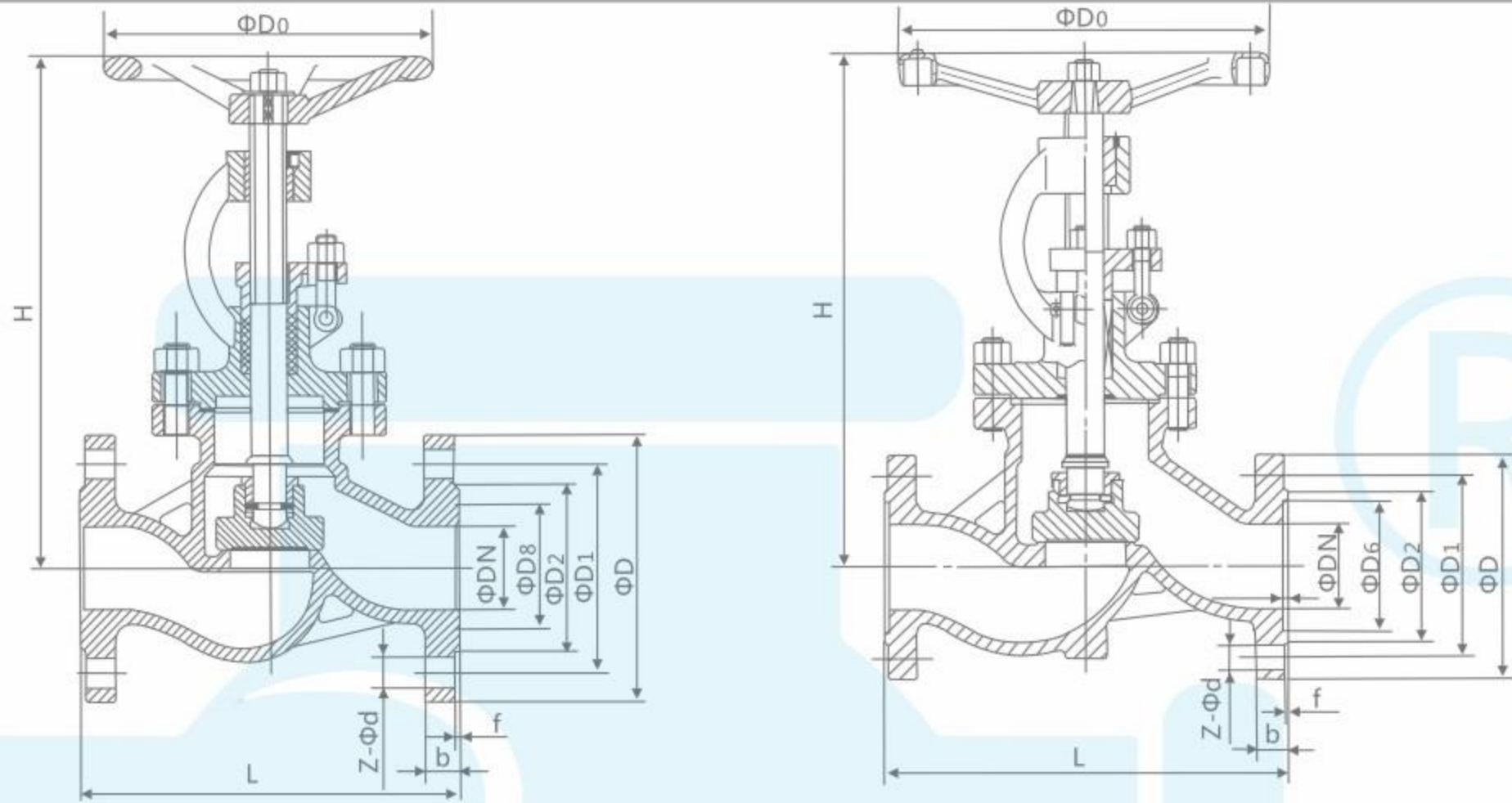
10	130	90	60	40	35	16-2	4	4-Φ14	198	120	-	6.4
15	130	95	65	45	40	16-2	4	4-Φ14	233	120	-	6.4
20	150	105	75	55	51	18-2	4	4-Φ14	275	140	-	6.4
25	160	115	85	65	58	18-2	4	4-Φ14	285	160	-	6.4
32	180	140	100	78	66	18-2	4	4-Φ18	302	180	-	6.4
40	200	150	110	85	76	18-3	4	4-Φ18	355	200	-	6.4
50	230	165	125	100	88	20-3	4	4-Φ18	373	240	DZW10A	10
65	290	185	145	120	110	22-3	4	8-Φ18	408	280	DZW10A	12
80	310	200	160	135	121	24-3	4	8-Φ18	436	320	DZW20A	12.5
100	350	235	190	160	150	24-3	4.5	8-Φ22	480	360	DZW30A	13.5
125	400	270	220	188	176	26-3	4.5	8-Φ26	558	400	DZW45A	14
150	480	300	250	218	204	28-3	4.5	8-Φ26	611	400	DZW60A	16
200	600	375	320	282	260	34-3	4.5	12-Φ30	720	400	DZW90	17
250	650	450	385	345	313	38-3	4.5	12-Φ33	665	500	DZW120	18.5
300	750	515	450	408	364	42-4	4.5	16-Φ33	720	550	DZW180	22
350	850	580	510	465	422	46-4	5	16-Φ36	860	600	DZW180	25
400	950	660	585	535	474	50-4	5	16-Φ39	1010	700	DZW250	27
450	1050	685	610	560	524	37-4	5	20-Φ39	1190	800	DZW300	29
500	1150	755	670	612	576	57-4	5	20-Φ42	1260	900	DZW500	30

注：电动或齿轮传动，价格另计。 Note: Electric or gear drive, the price extra.



国标截止阀 GB Globe valve

J41<sup>W</sup><sub>Y</sub> - <sup>6.3</sup>/<sub>10.0</sub> C, I, P, R



HG/T 20592 单位Unit:mm

PN63 主要外形尺寸及连接尺寸 Main external and connection dimension

DN	L	D	D1	D2	D6	D8	b-f	f2	Z-Φd	H	D0	电动装置型号 Electric device model	壁厚 Wall thickness
10	170	100	70	50	35	-	20-2	4	4-Φ14	198	120	-	7.9
15	170	105	75	55	40	-	20-2	4	4-Φ14	195	140	-	7.9
20	190	130	90	68	51	-	22-2	4	4-Φ18	228	160	-	7.9
25	210	140	100	78	58	-	24-2	4	4-Φ18	275	180	-	7.9
32	230	155	110	82	66	-	26-2	4	4-Φ22	325	200	-	8.6
40	260	170	125	95	76	-	28-3	4	4-Φ22	360	240	-	9.4
50	300	180	135	105	88	-	26-3	4	4-Φ22	410	280	DZW10A	11
65	340	205	160	130	110	-	26-3	4	8-Φ22	450	320	DZW15A	13
80	380	215	170	140	121	-	28-3	4	8-Φ22	485	360	DZW30A	14
100	430	250	200	168	150	-	30-3	4.5	8-Φ26	537	400	DZW45A	15
125	500	295	240	202	176	-	34-3	4.5	8-Φ30	631	400	DZW60A	15.5
150	550	345	280	240	204	-	36-3	4.5	8-Φ33	646	450	DZW90	18
200	650	415	345	300	260	-	42-3	4.5	12-Φ36	813	500	DZW120	21
250	775	470	400	352	313	-	46-3	4.5	12-Φ36	985	550	DZW180	23
300	900	530	460	412	364	-	52-4	4.5	16-Φ36	1214	600	DZW250	25
350	1025	600	525	475	422	-	56-4	5	16-Φ39	1432	650	-	28
400	1150	670	585	525	474	-	60-4	5	16-Φ42	1650	700	-	30

PN100 主要外形尺寸及连接尺寸 Main external and connection dimension

单位Unit:mm

10	170	100	70	50	-	35	20-2	-	4-Φ14	840	120	-	7.9
15	170	105	75	55	-	45	20-2	-	4-Φ14	925	140	-	7.9
20	190	130	90	68	-	50	22-2	-	4-Φ18	1155	160	-	7.9
25	210	140	100	78	-	65	24-2	-	4-Φ18	1340	180	-	7.9
32	230	155	110	82	-	75	26-2	-	4-Φ22	148	220	-	8.6
40	260	170	125	95	-	85	28-3	-	4-Φ22	156	240	-	9.4
50	300	190	145	112	-	110	30-3	-	4-Φ26	125	280	DZW20A	13
65	340	220	170	138	-	115	34-3	-	8-Φ26	200	320	DZW30A	14
80	380	230	180	148	-	145	36-3	-	8-Φ26	231	400	DZW45A	18
100	430	265	210	172	-	145	40-3	-	8-Φ30	262	450	DZW60A	20
125	500	315	250	210	-	175	40-3	-	8-Φ33	303	450	DZW90	22
150	550	355	290	250	-	205	44-3	-	12-Φ33	341	500	DZW120	28
200	650	430	360	312	-	265	52-3	-	12-Φ36	485	550	DZW180	30
250	775	505	430	382	-	320	60-3	-	12-Φ39	630	600	DZW250	32
300	900	585	500	442	-	375	68-4	-	16-Φ42	775	700	DZW300	35

PN160 主要外形尺寸及连接尺寸 Main external and connection dimension

单位Unit:mm

15	170	105	75	52	-	35	20-2	-	4-Φ14	198	140	-	12.7
20	190	130	90	62	-	45	24-2	-	4-Φ18	202	160	-	12.7
25	210	140	100	72	-	50	24-2	-	4-Φ18	228	180	-	12.7
32	230	155	115	85	-	65	28-2	-	4-Φ22	250	200	-	14.2
40	260	170	125	92	-	75	28-3	-	4-Φ22	326	240	-	18
50	300	195	165	132	-	95	30-3	-	4-Φ26	359	250	DZW30A	19
65	340	220	190	152	-	110	34-3	-	8-Φ26	414	320	DZW45A	22
80	380	230	205	168	-	130	36-3	-	8-Φ26	434	400	DZW90	23
100	430	265	240	200	-	160	40-3	-	8-Φ30	547	450	DZW120	26
150	550	355	318	270	-	190	50-3	-	12-Φ33	621	550	DZW250	35
200	650	430	400	345	-	205	60-3	-	12-Φ36	732	700	DZW350	40

注：电动或齿轮传动，价格另计。 Note: Electric or gear drive, the price extra.